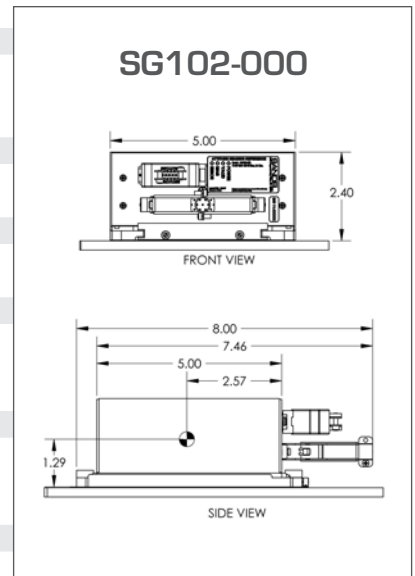


SANDEL®

SPECIFICATIONS: SG102-000 AHRS Fixed Wing Piston Aircraft

Weight	
SG102-000 AHRS	2.1 lbs (1.0 kg)
MT102 Magnetic Transducer	0.4 lbs (0.18 kg)
SG102 Mounting Base	0.6 lbs (0.27 kg)
Dimensions	
SG102-000 AHRS	5.0 in x 5.4 in x 2.1 in (12.7 cm x 13.7 cm x 5.3 cm)
MT102 Magnetic Transducer	3.4 in diameter, 1.0 in height (8.6 cm x 2.4 cm)
SG102 Mounting Base	5.0 in x 6.1 in x 0.3 in (12.7 cm x 15.5 cm x .9 cm)
Power Requirements	
	11-33VDC, 100W maximum, 15W nominal 5 Amps maximum current draw during startup
Inverter Output	
	26VAC, 400Hz, 5VA (no external inverter required)
Cooling Requirements	
	None
Operating Environment	
Temperature	-55° C to +70° C
Altitude	+55,000 feet maximum
Performance	
Initialization Time	5 minutes at 15° C
Accuracy	+/- 1 degree magnetic heading
MTBF	
	>10,000 hours, calculated
Certification Basis	
SG102-000 AHRS	TSO C4c, Bank and Pitch Instruments TSO C6d, Direction Instrument, Magnetic (Gyroscopically Stabilized) RTCA/DO-160E Env. Cat. [A2F2X]BBB[S(LM)H(R)]XWXXXBZAB[ZW][YY]M[A3J33]XXAX RTCA/DO-178B, Software Level C
MT102 Magnetic Transducer	TSO C6d, Direction Instrument, Magnetic (Gyroscopically Stabilized) RTCA/DO-160E Env. Cat. [A2F2X]BBB[H(RP)R](BB1CC1EE1GJ)U2(FF1)]XWXXXBXXX[ZW][YY]M[A3J33]XXAX RTCA/DO-178B, Software Level C
Interfaces	
Magnetic Heading	ARINC 407 (XYZ Synchro), Stepper Motor (KG 102A), ARINC 429 Low-speed, RS-232
Pitch and Roll	ARINC 429 Low-speed* *Not certified for display of attitude. Pitch and roll data for auxiliary applications only.



For turbine and helicopter versions please visit www.sandel.com

For further information and pricing,
see your Sandel dealer or contact Sandel Avionics, Inc.:

Sandel Avionics, Inc.

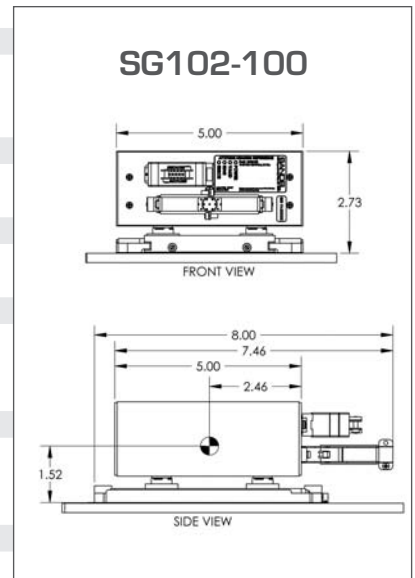
Toll free 1-877-SANDEL7 Worldwide 1-760-727-4900 Fax 760-727-4899 sandel.com/piston

Sandel Avionics/Simply Brilliant www.sandel.com

SANDEL®

SPECIFICATIONS: SG102-100 AHRS Fixed Wing Turbine Aircraft

Weight	
SG102-100 AHRS	2.2 lbs (1.0 kg)
MT102 Magnetic Transducer	0.4 lbs (0.18 kg)
SG102 Mounting Base	0.6 lbs (0.27 kg)
Dimensions	
SG102-100 AHRS	5.0 in x 5.4 in x 2.4 in (12.7 cm x 13.7 cm x 6.1 cm)
MT102 Magnetic Transducer	3.4 in diameter, 1.0 in height (8.6 cm x 2.4 cm)
SG102 Mounting Base	5.0 in x 6.1 in x 0.3 in (12.7 cm x 15.5 cm x .9 cm)
Power Requirements	
	11-33VDC, 100W maximum, 15W nominal 5 Amps maximum current draw during startup
Inverter Output	
	26VAC, 400Hz, 5VA (no external inverter required)
Cooling Requirements	
	None
Operating Environment	
Temperature	-55° C to +70° C
Altitude	+55,000 feet maximum
Performance	
Initialization Time	5 minutes at 15° C
Accuracy	+/- 1 degree magnetic heading
MTBF	
	>10,000 hours, calculated
Certification Basis	
SG102-100 AHRS	TSO C4c, Bank and Pitch Instruments TSO C6d, Direction Instrument, Magnetic (Gyroscopically Stabilized) RTCA/DO-160E Env. Cat. [A2F2X]BBB[H(R)R][BB1CC1]]XWXXXBZAB[ZW][YY]M[A3J33]XXAX RTCA/DO-178B, Software Level C
MT102 Magnetic Transducer	TSO C6d, Direction Instrument, Magnetic (Gyroscopically Stabilized) RTCA/DO-160E Env. Cat. [A2F2X]BBB[H(RP)R][BB1CC1EE1GJ]U2[FF1]]XWXXXBXXX[ZW][YY]M [A3J33]XXAX RTCA/DO-178B, Software Level C
Interfaces	
Magnetic Heading	ARINC 407 (XYZ Synchro), Stepper Motor (KG 102A), ARINC 429 Low-speed, RS-232
Pitch and Roll	ARINC 429 Low-speed* *Not certified for display of attitude. Pitch and roll data for auxiliary applications only.



For piston and helicopter versions please visit www.sandel.com

For further information and pricing,
see your Sandel dealer or contact Sandel Avionics, Inc.:

[Sandel Avionics, Inc.](http://www.sandel.com)

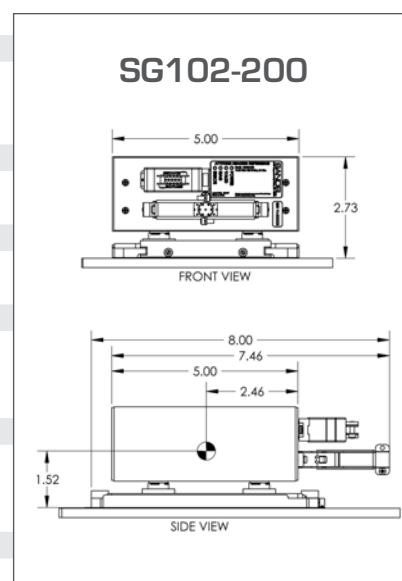
Toll free 1-877-SANDEL7 Worldwide 1-760-727-4900 Fax 760-727-4899 sandel.com/turbine

Sandel Avionics/Simply Brilliant www.sandel.com

SANDEL®

SPECIFICATIONS: SG102-200 AHRS High-Vibration Version for Helicopters

Weight	
SG102-200 AHRS	2.2 lbs (1.0 kg)
MT102 Magnetic Transducer	0.4 lbs (0.18 kg)
SG102 Mounting Base	0.6 lbs (0.27 kg)
Dimensions	
SG102-200 AHRS	5.0 in x 5.4 in x 2.4 in (12.7 cm x 13.7 cm x 6.1 cm)
MT102 Magnetic Transducer	3.4 in diameter, 1.0 in height (8.6 cm x 2.4 cm)
SG102 Mounting Base	5.0 in x 6.1 in x 0.3 in (12.7 cm x 15.5 cm x .9 cm)
Power Requirements	
	11-33VDC, 100W maximum, 15W nominal 5 Amps maximum current draw during startup
Inverter Output	
	26VAC, 400Hz, 5VA (no external inverter required)
Cooling Requirements	
	None
Operating Environment	
Temperature	-55° C to +70° C
Altitude	+55,000 feet maximum
Performance	
Initialization Time	5 minutes at 15° C
Accuracy	+/- 1 degree magnetic heading
MTBF	
	>10,000 hours, calculated
Certification Basis	
SG102-200 AHRS	TSO C4c, Bank and Pitch Instruments TSO C6d, Direction Instrument, Magnetic (Gyroscopically Stabilized) RTCA/DO-160E Env. Cat. [A2F2X]BBB[R(G)U2(FF1)]XWXXXBZAB[ZW][YY]M[A3J33]XXAX RTCA/DO-178B, Software Level C
MT102 Magnetic Transducer	TSO C6d, Direction Instrument, Magnetic (Gyroscopically Stabilized) RTCA/DO-160E Env. Cat. [A2F2X]BBB[H(RP)R(BB1CC1EE1GJ)U2(FF1)]XWXXXBXXX[ZW][YY] M[A3J33]XXAX RTCA/DO-178B, Software Level C
Interfaces	
Magnetic Heading	ARINC 407 (XYZ Synchro), Stepper Motor (KG 102A), ARINC 429 Low-speed, RS-232
Pitch and Roll	ARINC 429 Low-speed* *Not certified for display of attitude. Pitch and roll data for auxiliary applications only.



For further information and pricing,
see your Sandel dealer or contact Sandel Avionics, Inc.:

Sandel Avionics, Inc.

Toll free 1-877-SANDEL7 Worldwide 1-760-727-4900 Fax 760-727-4899 sandel.com/helos

Sandel Avionics/Simply Brilliant www.sandel.com